

> Condensation / dew point monitor

Sensors - water - condensation



Characteristics

- early detection of condensation and dew point
- switching contact for controlling automatic control systems
- robust housing with LED indication
- easy installation
- maintenance-free



Usage

The condensation/dew point monitor is used to detect the formation of condensation, for instance on chilled ceilings and heating, ventilation and air conditioning systems. The condensation/dew point monitor is also used to detect when the dew point has been reached.

If 90% air humidity is measured, a switching contact is activated with which automatic control systems can be controlled. In this way, for instance, heating can be switched on to reduce condensation.

Robust housing with LED indication

The housing is compact and robust. A special protective coating means that both the sensor and the electronics are insensitive to dust and dirt. An LED on the housing flashes if there is a risk of condensation.

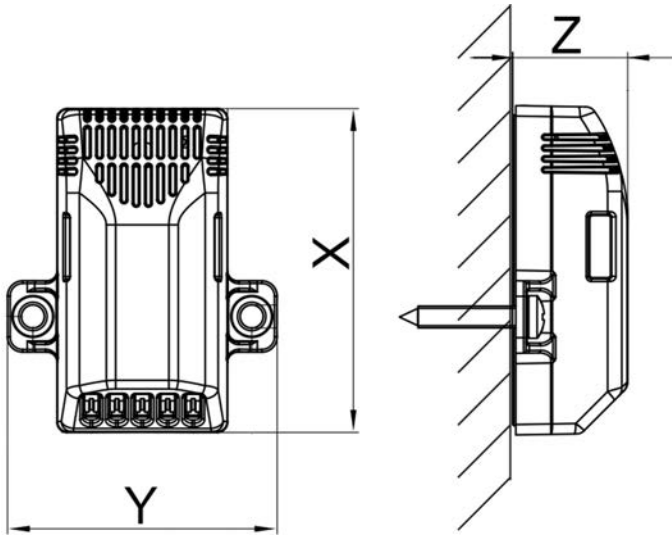
	LED continuous red: operational < 90% RH
	flashing LED: risk of condensation

Easy installation

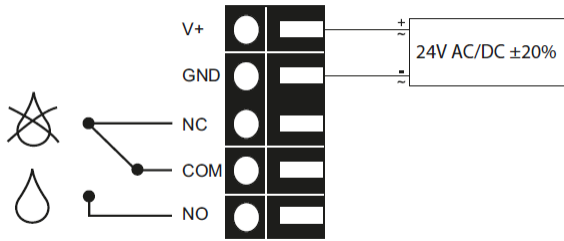
The condensation/dew point monitor can be mounted on walls, lines and pipes of up to 50 mm in diameter.

Specifications

General	
Article description	condensation / dew point monitor
Article number	111235
Air humidity sensor	capacitive sensor
Dimensions (XYZ)	63.5 x 53 x 22 mm
Weight	60 grams
Housing material	polycarbonate, UL94-V2 approved
IP code housing	IP40
Working range	10 ... 100%
Supply voltage	24 VAC / VDC ±20%
Current consumption at 24 VDC	< 3 mA
Switching power	max. 24 VAC / VDC, 1 A
Relay status indicator	LED, red
Electrical output	potential-free relay with changeover contact
Electrical connections	5-pole push-in connections, max. 1.5 mm ² (AWG 16)
Switching point at 20°C	90 ± 3% RH
Reaction time to change in pipe or wall temperature	t ₉₀ < 180 s
Reaction time to change in relative air humidity	t ₉₀ < 25 s
Permissible operating temperature	0 ... 50 °C
Permitted temperature during transport and storage	-20 ... 70 °C



Wiring diagram



Europe Office:
 Priva
 Zijlweg 3
 P.O. Box 18
 2678 ZG
 De Lier
 The Netherlands
www.priva.com
sales.building@priva.nl

UK Office:
 Priva UK Ltd.
 34 Clarendon Road

 Watford WD17 1JJ
 United Kingdom
www.priva.co.uk
sales@priva.co.uk

Canada Office:
 Priva North America Inc.
 3468 South Service Road
 Vineland Station

 Ontario LOR 2E0
 Canada
www.priva.ca
contact.priva@priva.ca

Your Priva partner: